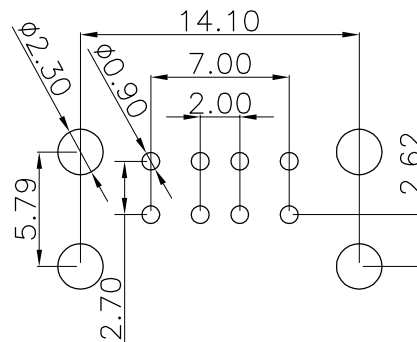
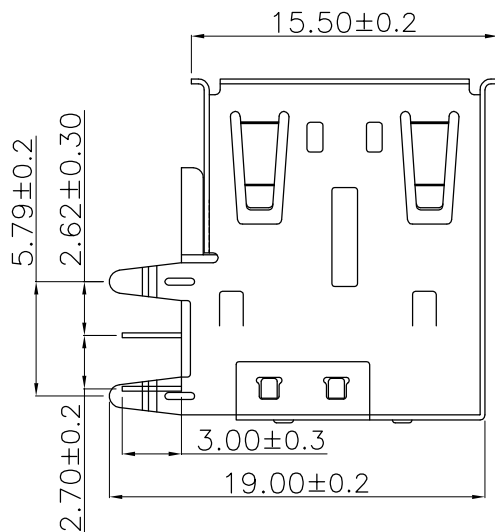
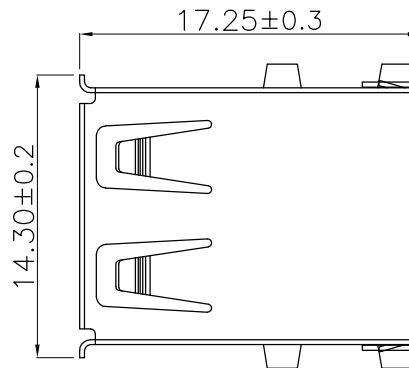
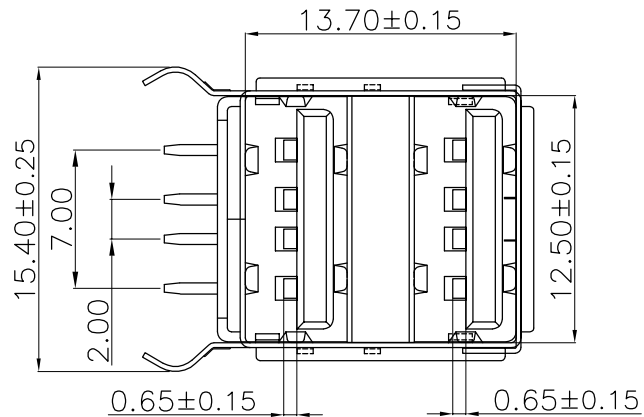


The product using material and processing must conform to the "WI-PZ-001"HSF technical standard control requirements



RECOMMENDED P.C.B LAYOUT P.C.B THICKNESS=1.2mm(TOLERANCE=±0.05)

NOTE:

- 1.MATERIAL SPECIFICATION:
 - 1-1.HOUSING:PBT
 - 1-2.CONTACTS:C2680.
 - 1-3.SHELL: SPCC/COPPER ALLOY
- 2.PLATING SPECIFICATION:
 - 2-1.CONTACTS:
 - Ni UNDER PLATED OVER ALL.
 - Sn WELDING AREA PLATED OVER ALL.
 - Au PLATED ON THE FUNCTIONAL AREA OF CONTACT.
 - 2-2. SHELL:
 - Cu UNDER PLATED OVER ALL.
 - Ni WELDING AREA PLATED OVER ALL.
- 3.MECHANICAL PERFORMANCE:
 - 3-1.INSERTION FORCE: 3.57kgf MAX
 - 3-2.REMOVAL FORCE: 1.02kgf MIN
 - 3-3.DURABILITY: 1500 CYCLES.
- 4.ELECTRICAL PERFORMANCE:
 - 4-1.CURRENT RATING:1.5A
 - 4-2.VOLTAGE RATING:30V MAX
 - 4-3.CONTACT RESISTANCE: 30m Ohm MAX.
 - 4-4.INSULATION RESISTANCE: 1000MΩ MIN
 - 4-5.DIELECTRIC WITHSTANDING VOLTAGE: 500V AC MIN.
- 5.ENVIRONMENTAL PERFORMANCE:
 - OPERATING TEMPERATURE: -20°C~+85°C.

6.P/N:

WLU2F9-08 1 X X X 14-148

PLATED:	1-G/F	2-Au 3u"	5-Au 15u"	6-Au 30u"	SHELL:	1-SPCC	2-COPPER ALLOY	
					COLOUR:	A-BLACK	G-BLUE	K-WHITE

REV.	REVISION RECORD	DATE	UNIT:mm	GENERAL TOLERANCES		SCALE:	NAME	DATE	PART.NO:	DWG.NO:	
A0	NEW RELEASE	21.01.13		LINEAR	ANGLES	1:1					
			0.00±0.25	X°±3'			Han_Gao	21.08.01	WLU2F9-081XXX14-148	ENDE05	
			0.00±0.10	X°X' ±2'			Zijun_Huang	21.08.01	USB2.0 A/F DOUBLE DIP L=17.25mm		